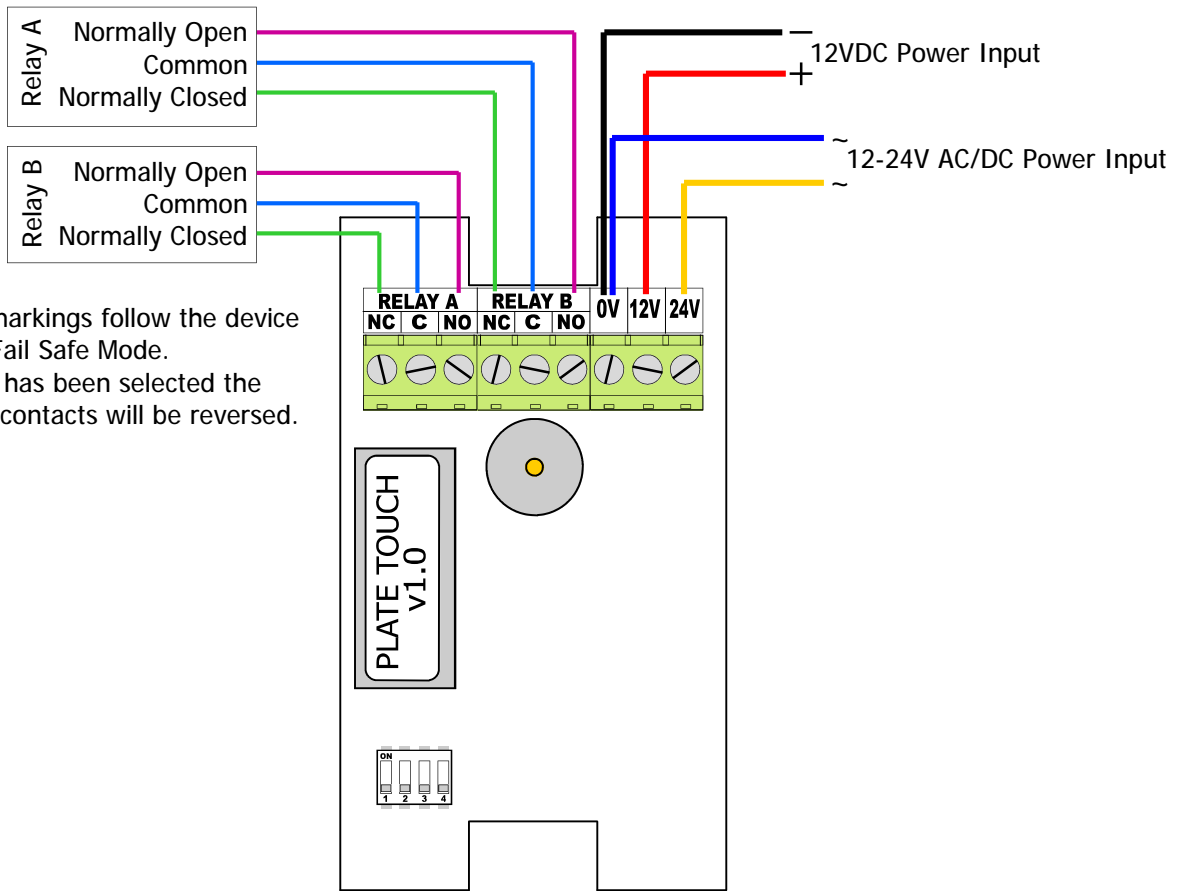


PLATE TOUCH

Capacitive Touch Request to Exit Plate



Dipswitch Positions		
	1 OFF	Buzzer is activated A single beep sound when touched
	1 ON	Buzzer is Disabled No sound
	2 + 3 OFF	2 Second Relay Reset Timer Relay will turn off 2 seconds after touch
	2 ON, 3 OFF	Toggle Mode/Change Over Relay will change state when touched
	2 OFF, 3 ON	6 Second Relay Reset Timer Relay will turn off 6 seconds after touch
	2 + 3 ON	Follow Mode Relay stays active for as long as hand is present
	4 OFF	Fail Safe When power is dropped off, relay will activate
	4 ON	Fail Secure Relay not affected if power is dropped off <i>Note. Relay markings will be reversed</i>

Calibration:

When the device is powered up it will automatically adjust to its environment, this may take up to 20 seconds. So for best results, fit the Plate to the wall before applying power.

Specifications:

Voltage

12V Input: 10-15V DC only
24V Input: 12-24V AC or DC

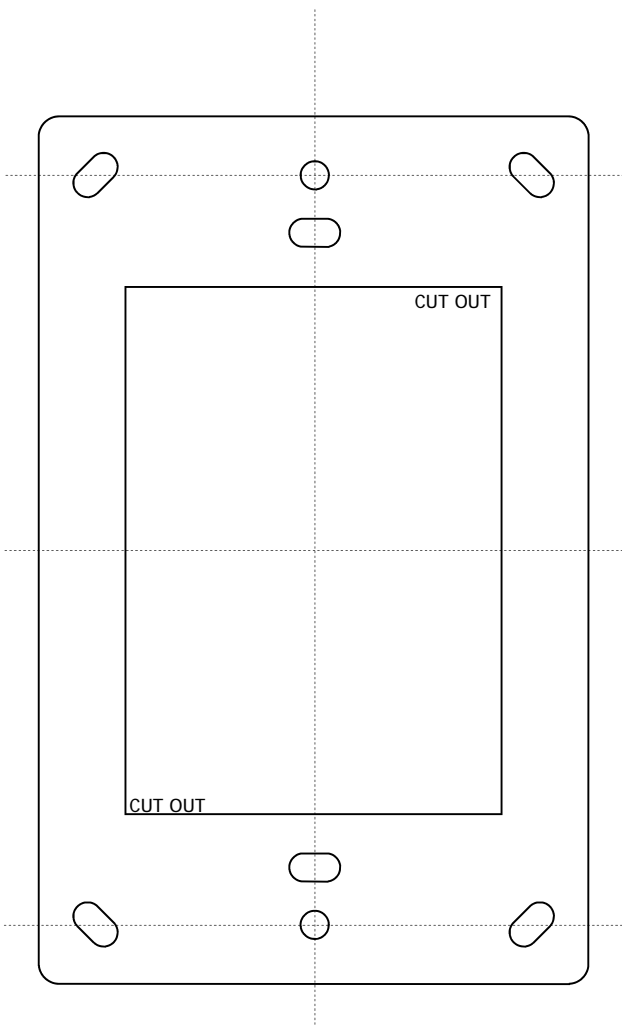
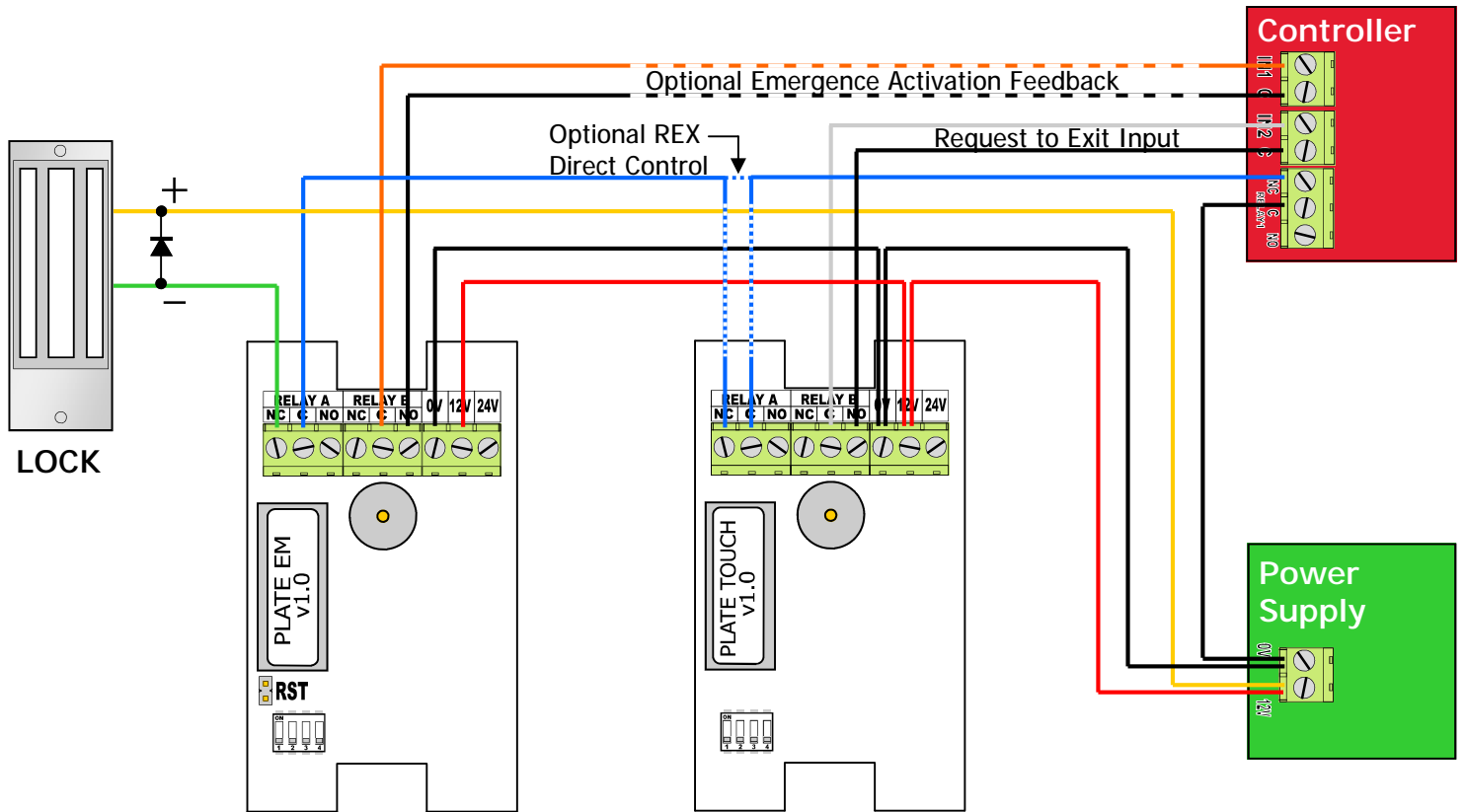
Current Max.

50mA Standby (Fail Safe Mode)
15mA Activation (Fail Safe Mode)
15mA Standby (Fail Secure)
50mA Activation (Fail Secure)

Relay Contacts

Relay A: 5A, 30VDC
Relay B: 5A, 30VDC

Wiring Example



ARROWHEAD ALARM PRODUCTS Ltd.
 344b Rosedale Rd,
 Albany,
 Auckland.
 Ph. 09 414 0085
 Fax. 09 414 0088
www.aap.co.nz
 v1.0

